

# Quick Start Guide - Type1SJ Evaluation Kit

You can use this EVK for Type1SJ communication test and power evaluation.

A complete Type1SJ EVK User Guide can be found in our my Murata <Type1SJ LoRa Support Site>

If you have any questions about the support site registration process, please contact our local sales [www.murata.com/en-global/support/contactinformation](http://www.murata.com/en-global/support/contactinformation)

## About Type1SJ

- Module Size: 10.0 x 8.0 x 1.6mm(max)
- Connectivity: Lora WAN
- Interface: UART/SPI/I2C/USB/GPIO
- Support FuOTA/Class A,B and C
- Integrated Main CLK and 32.768 kHz CLK

## What Murata supply

- Type1SJ EVK
- Quick Start Guide
- Support Site Access Guide
- ANT-SS900

## What customer need

- Windows® OS(XP,7,8,10)
- LoRa gateway connected to LoRa network server
- Micro-AB USB Cable

## How to connect

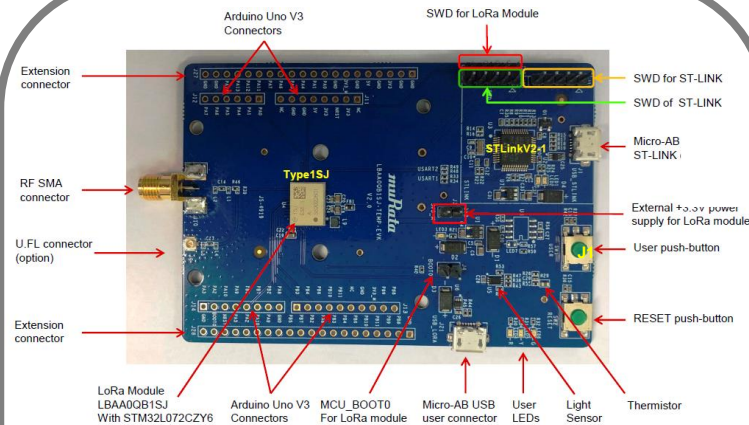


Figure1: EVK appearance

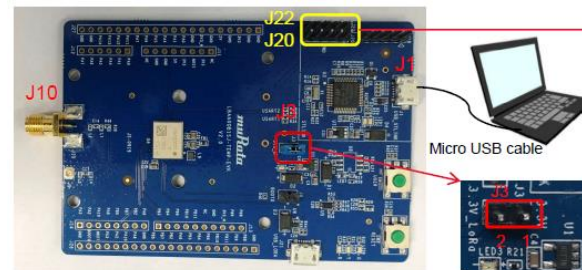


Figure2: EVK setup

## How to use

- Configure +3.3V power supply for LoRa Module
- Connect EVK to PC with Micro-AB USB connector J1
- Connect RF cable to RF SMA connector
- Run GUI tool on PC and choose correct COM port

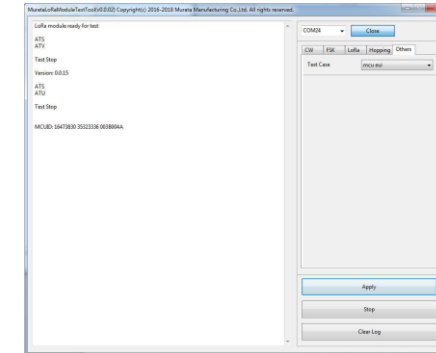


Figure2: GUI tool Configuration Window

- Choose different test command for test
- About AT command details, please refer to my Murata <Type 1SJ LoRa Support Site> web site [https://my.murata.com/ja/web/lrwan\\_1sj/module-info](https://my.murata.com/ja/web/lrwan_1sj/module-info)

\*This Type1SJ EVB is pre-installed 1SJ-296 modem FW. If user want to reprogram to another Type1SJ modem FW, please refer to "Type1SJ EVB User Guide For Modem FW\_Vx.x.pptx"

If user reprogram to 1SJ-686 modem FW, after reprogramming, user need to send "AT+FACNEW" command to the modem.