

IGBT Modules



■ Applications

- LV AC Drives
- HV AC Drives
- Servo Driver
- Power Supply
- Uninterruptible Power Supply (UPS)
- Welding Machine
- Elevator
- Commercial Air Conditioner

■ Features

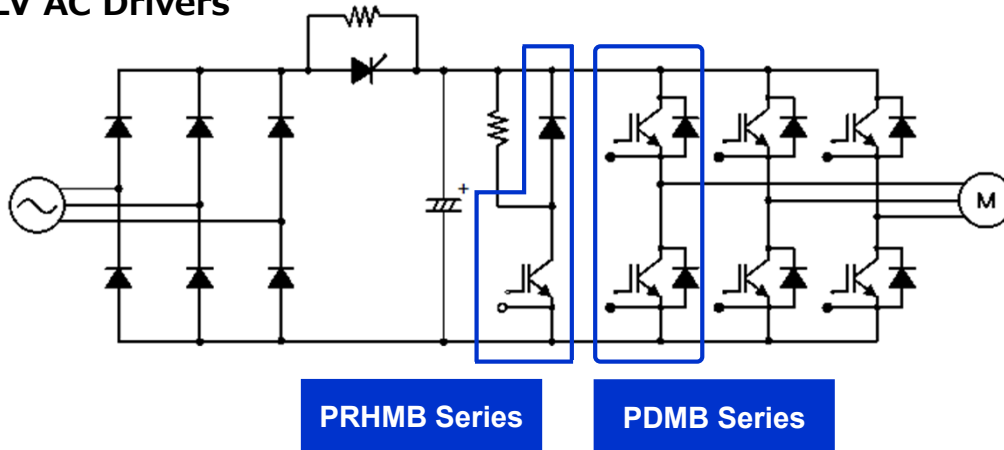
- RoHS
- 30mm Height
- $T_{j\text{ MAX}} = 175^{\circ}\text{C}$

■ Specifications

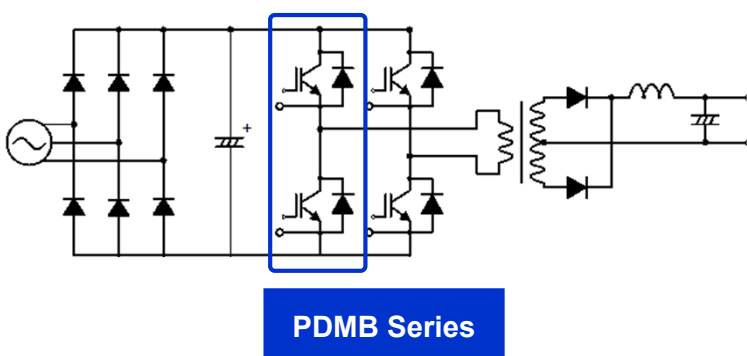
- V_{CES} : 650/1200V
- I_{C} : 50~400A
- Package : 4 Packages

■ Typical circuit configuration

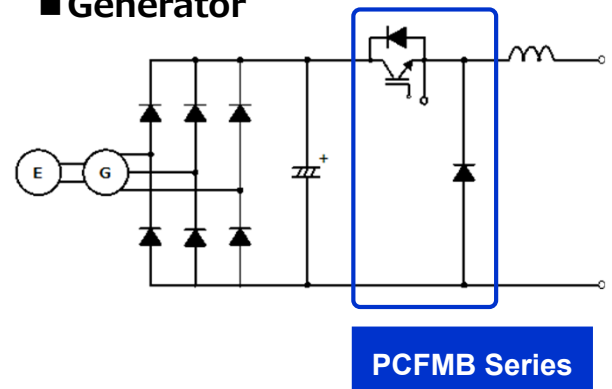
■ LV AC Drivers



■ Power supply



■ Generator



Product Portfolio

Package	Size [mm]	Circuit	Rating Current [A]							
			50	75	100	150	200	300	400	
	38×30×17			1250V	650V					
	94×35×30		650V							
	94×48×30					1200V		650V		
	108×62×30								1200V	

Connection (Series)

K38IH	PDMB	PCFMB	PCHMB	PRFMB	PRHMB

Performance

